



INSTALLATION INSTRUCTIONS

PART No. 30482

MODEL No.

Wrangler Side Step

Components:

Item	QTY	Description
1	1	Side Step Driver Side
2	1	Side Step Passenger Side

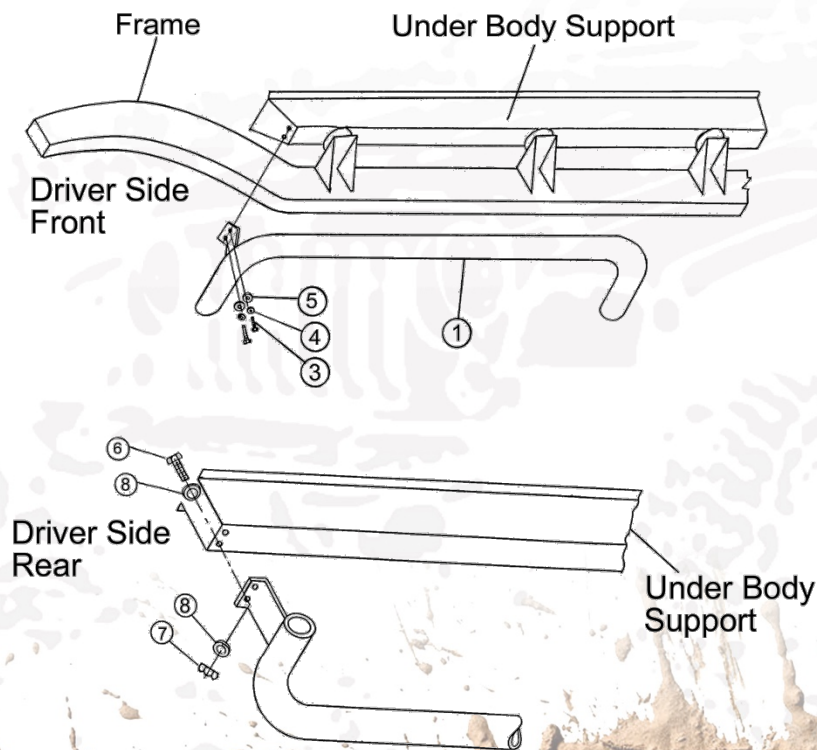
Hardware:

Item	QTY	Description
3	4	M8 x 30 Hex Head Bolt
4	4	M8 Lock Washer
5	4	M8 Flat Washer
6	4	3/8 x 1 1/4" Hex Head Bolt
7	4	3/8" Lock Nut
8	8	3/8" Flat Washer

Important: Read instructions first.

Instructions:

1. Remove the two 8MM hex bolts located in the front wheel well at the front of the under body support.
2. Loosely mount front of Side Step to the location described in Step #1 using the 8MM bolts, lock washers and flat washers supplied. See illustration "Driver Side Front". Do **NOT** tighten at this time.
3. Using small pry bar, remove the two plastic fastening clips that fastens the front of the rear wheel well liner to the under body of the vehicle. Pull liner away from end of under body support to expose access end of under support.
4. Raise the Side Step into position at a point where the rear bracket of the Side Step is against the bottom and in the center of the under body support. Temporarily clamp in position while transferring hole position with felt marker or scratch all.
5. Lower Side Step and center punch marked holes for drilling.
6. Drill 1/8" pilot hole followed by a 13/32" drill bit.
7. Fasten rear Side Step bracket to drilled holes using two 3/8" bolts, flat washers and lock nuts as in illustration "Driver Side Rear". Torque 3/8" bolts to 23 ft. lbs.
8. Reposition wheel well liner to cover hardware installed in Step #7 and fasten the liner using the fastening clips removed in Step #3.
9. Tighten front bracket to under body support. Torque 8MM bolts to 18 ft lbs.
10. Repeat Steps 1 through 9 for installation of opposite side.



Tools Needed:

- 13 MM Wrench
- 2 - 9/16" Wrench
- Pry Bar
- Electric Drill
- 1/8" Drill Bit
- 13/32" Drill Bit
- Center Punch
- Hammer
- Magic Marker