



## INSTALLATION INSTRUCTIONS

**PART No.** 30494

**MODEL No.**

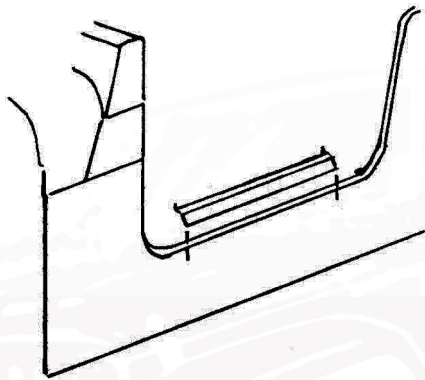
**Entry Guard**

Using rubbing alcohol, clean entire surface of the entry guard area.

**NOTE:** If surface in **NOT** cleaned, the 3M tape will not stick thus voiding any warranty.

Peel off the outer tape covering from the 3M tape. Place the entry guard in place, making sure it is centered in the opening.

Use a rag to apply pressure to the top and side to ensure correct bonding of the tape.



## INSTALLATION INSTRUCTIONS

**PART No.** 30494

**MODEL No.**

**Entry Guard**

Using rubbing alcohol, clean entire surface of the entry guard area.

**NOTE:** If surface in **NOT** cleaned, the 3M tape will not stick thus voiding any warranty.

Peel off the outer tape covering from the 3M tape. Place the entry guard in place, making sure it is centered in the opening.

Use a rag to apply pressure to the top and side to ensure correct bonding of the tape.

